

CONSEW

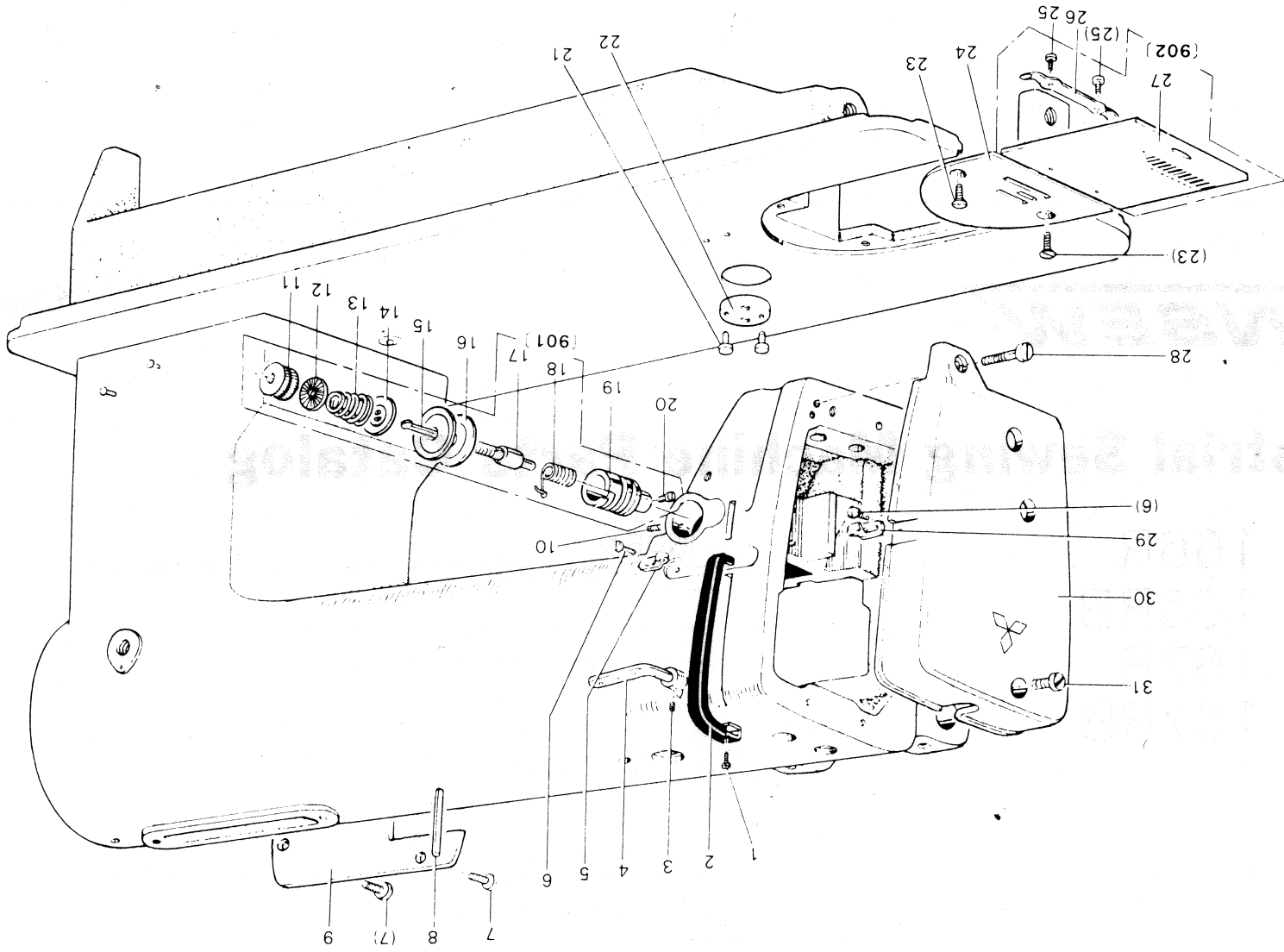
APR 04 1983

Industrial Sewing Machine Parts Catalog

Model 166R
166RB
167R
167RB

INDEX	Page
Arm bed & its accessories	1
Thread take-up lever & needle bar mechanism	3
Arm shaft & vertical shaft mechanism	5
Stitch length regulator mechanism	7
Presser foot mechanism	9
Upper feed mechanism	11
Lower feed mechanism	15
Hook shaft & rotating hook mechanism	17
Oil lubrication mechanism	19
Accessory box & accessories	21
Oil pan & other accessories	23

From the library of: Diamond Needle Corp



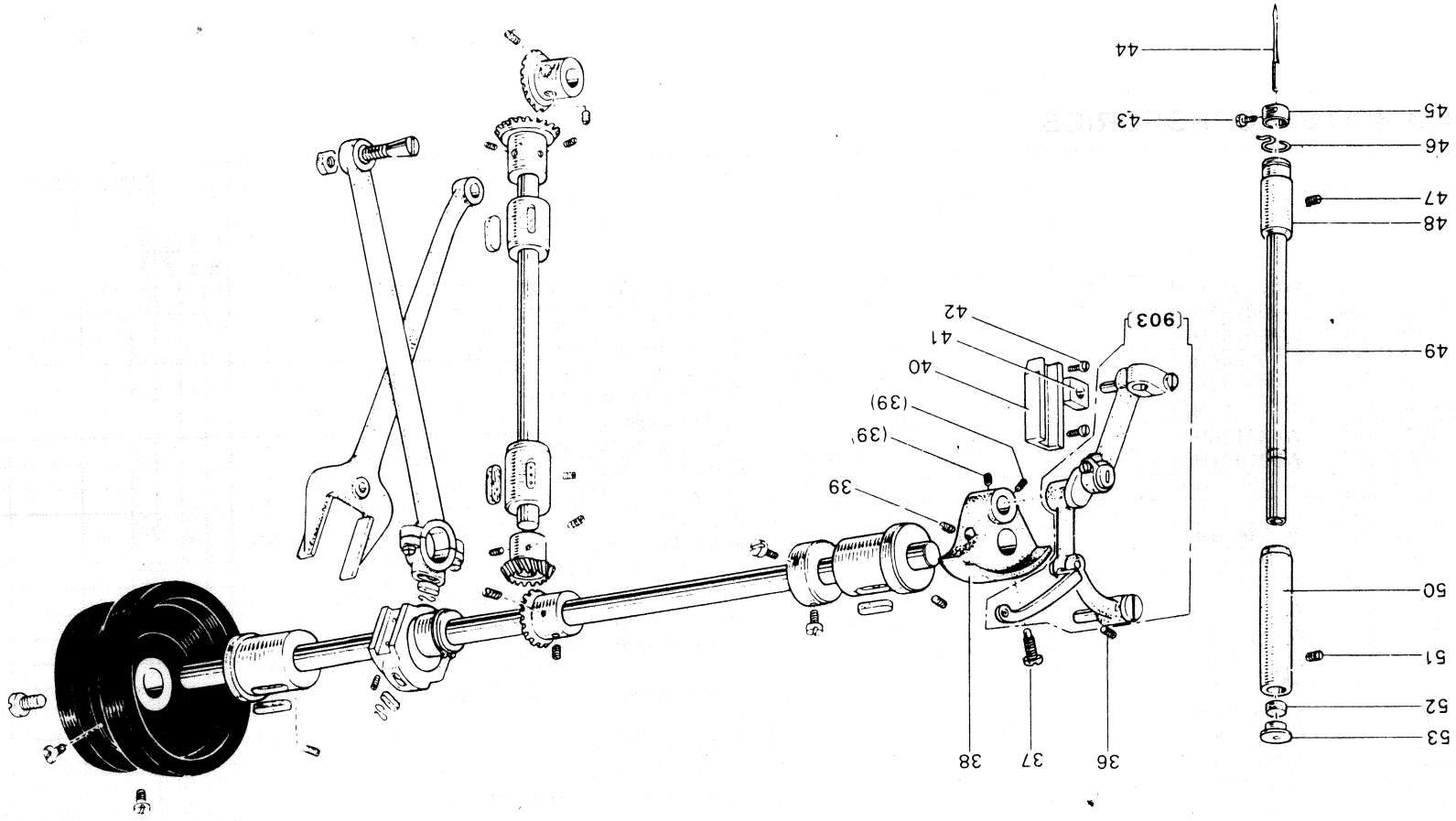
ARM BED & ITS ACCESSORIES

ARM BED & ITS ACCESSORIES

Fig No	Description	Amt Req	Common Parts																		
			167R	167RB	166R	166RB															
1	M9 1107 002 W500092H01	Screw 11/64(40)×5.5	1	○	○	○	○														
2	MF 10A0 584 W468291H01	Thread take-up cover	1	○	○	○	○														
	MF 17B0 584 W458150H01	Thread take-up cover	1	○	○	○	○														
3	M9 1108 001 B 503846H01	Set screw 11/64(40)×5.5	1	○	○	○	○														
4	MF 10A0 180 B 409034H01	Three hole thread guide	1	○	○	○	○														
	MF 80A0 181 W483484H01	Thread guide for arm	1	○	○	○	○														
5	MG 43A0 181 W487126H01	Thread guide for arm	1	○	○	○	○														
	M9 0909 003 W501901H01	Screw 9/64(40)×6	2	○	○	○	○														
7	M9 1128 003 W500511H01	Screw 11/64(40)×7	4	○	○	○	○														
8	MF 10A0 186 W461744H01	Spool pin	1	○	○	○	○														
9	MG 30B0 880 W488418H01	Arm side cover	1	○	○	○	○														
10	M9 1508 001 B 509088H01	Set screw 15/64(28)×8	1	○	○	○	○														
11	M9 1608 046 W476469H01	Thread tension regulating thumb nut 1/4(40)	1	○	○	○	○														
12	MT 60A0 802 W476470H01	Thumb nut revolution stopper	1	○	○	○	○														
13	MF 43C0 245 W478173H01	Thread tension spring	1	○	○	○	○														
14	MM 11A0 556 W477611H01	Thread tension releasing disc	1	○	○	○	○														
15	M9 0204 060 B 509216H01	Thread tension releasing pin φ2×28.4	1	○	○	○	○														
16	MF 10A0 555 W444059H01	Thread tension disc	2	○	○	○	○														
17	MF 10A0 553 B 419178H01	Thread tension stud	1	○	○	○	○														
18	MF 83A0 187 W486346H02	Thread take-up spring	1	○	○	○	○														
19	MF 10A0 709 W453140H01	Thread tension regulator bushing	1	○	○	○	○														
20	M9 0901 002 W500741H01	Screw 9/64(40)×4	1	○	○	○	○														
901	MF 43E0 210 W331008G03	Thread tension regulator complete	1	○	○	○	○														
21	M9 1107 002 W500092H01	Screw 11/64(40)×5.5	2	○	○	○	○														
22	MG 30A0 601 W483491H01	Cloth guide plate	1	○	○	○	○														
23	M9 1106 011 W502948H01	Screw 11/64(40)×8	2	○	○	○	○														
24	MF 26B0 101 W322721H01	Needle plate B2.6(7mm)	1	○	○	○	○														
25	M9 0604 002 B 509070H01	Screw 3/32(56)×2.2	2	○	○	○	○														
26	MF 10A0 471 B 419207H01	Spring for slide plate	1	○	○	○	○														
27	MG 30A0 470 B 419208H02	Slide plate	1	○	○	○	○														
902	MF 80E0 470 W461757G02	Slide plate complete	1	○	○	○	○														
28	M9 1106 003 W500369H01	Screw 11/64(40)×20	1	○	○	○	○														
29	MF 10A0 181 W452151H01	Thread guide for face Plate	1	○	○	○	○														
	MG 43A1 181 W487127H01	Thread guide for face Plate	1	○	○	○	○														
30	MG 30A1 830 W344935H01	Face plate	1	○	○	○	○														
31	M9 1070 003 S 516131H01	Screw 5/32(40)×30	1	○	○	○	○														

From the library of: Diamond Needle Corp

THREAD TAKE-UP LEVER & NEEDLE BAR MECHANISM



From the library of: Diamond Needle Corp

THREAD TAKE-UP LEVER & NEEDLE BAR MECHANISM

Fig.	No.	Parts. No.	Ref. No.	Description	Amt. Req.	Common Parts												
						167R	167RB	166R	166RB									
	36	M9 1519 001	B 509114H01	Set screw 15/64(28)×23.5	1	○	○	○	○									
	37	M9 1802 006	B 503851H01	Screw 9/32(28)×14	1	○	○	○	○									
	38	MF 60A1 383	W450075H01	Crank	1	○	○	○	○									
	39	M9 1606 001	B 504016H01	Set screw 1/4(40)×7	3	○	○	○	○									
	40	MF 10A0 662	W444056H02	Needle bar connecting link guide	1	○	○	○	○									
	41	MF 10A0 325	W443934H01	Square block	1	○	○	○	○									
	42	M9 1110 002	W500294H01	Screw 11/64(40)×8	2	○	○	○	○									
	903	MF 62E0 580	W331012G01	Thread take-up lever & needle bar complete	1	○		○										
		MF 67E0 580	W331012G02	Thread take-up lever & needle bar complete	1		○		○									
	43	M9 0815 002	W484210H01	Screw 1/8(44)×4.5	1	○	○	○	○									
	44	MF 83A0 128	S 970002H03	Needle DB×1 #22		○												
		MG 37A0 128	S 970005H07	Needle DP×17 #22			○											
	45	MG 42A0 181	W487123H01	Thread guide for needle bar	1	○	○											
	46	MG 37A1 181	W487001H01	Thread guide for needle bar bushing (under)	1	○	○											
	47	M9 1102 001	W500489H01	Set screw 11/64(40)×2.7	1	○	○	○	○									
	48	MG 30A0 664	W487002H01	Needle bar bushing (under)	1	○	○											
	49	MG 30A0 660	W483477H01	Needle bar	1	○	○											
	50	MF 60A0 663	W461760H01	Needle bar bushing (upper)	1	○	○	○	○									
	51	M9 1503 001	B 508971H01	Set screw 15/64(28)×4.5	1	○	○	○	○									
	52	MF 10A2 740	W500003H01	Felt for needle bar bushing (upper)	1	○	○	○	○									
	53	MF 60A0 742	W502181H01	Cap for needle bar bushing (upper)	1	○	○	○	○									

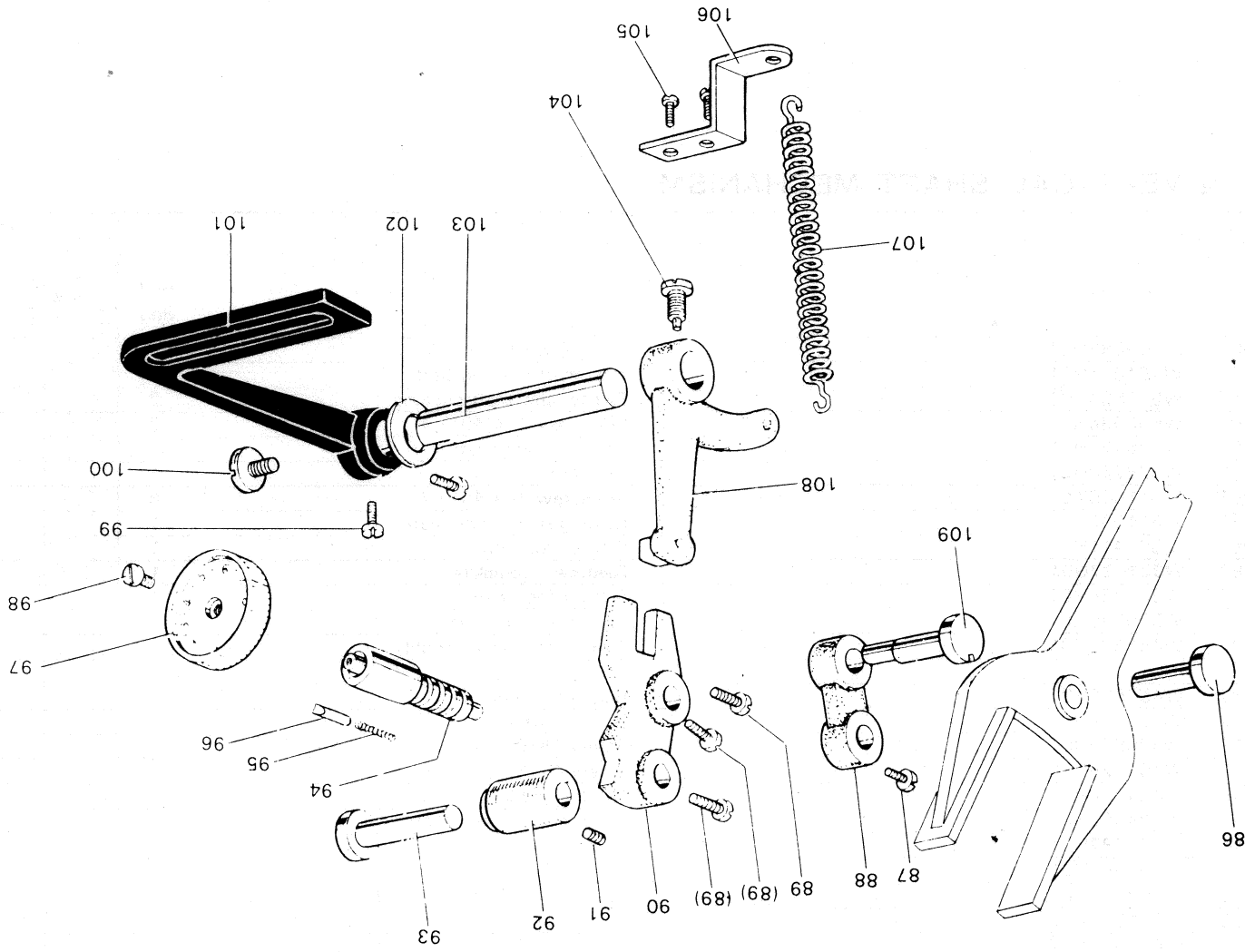
From the library of Diamond Needle Corp

ARM SHAFT & VERTICAL SHAFT MECHANISM

Fig. No.	Parts No.	Ref. No.	Description	Amt Req	Common Parts																
					167R	167RB	166R	166RB													
56	M9 1519 001	B 509088H01	Set screw 15/64 (28)×7	3	○	○															
57	MF 60A0 232	W464011H01	Arm shaft bushing (left)	1	○	○	○														
58	MF 60A2 740	W501524H01	Felt for arm shaft bushing	2	○	○	○	○													
59	M9 1602 001	W500036H01	Set screw 1/4(40)×4	2	○	○															
60	MF 70A0 352	W476422H01	Collar for arm shaft	1	○	○															
61	MF 60A0 230	W326240H01	Arm shaft	1	○	○	○	○													
62	M9 1606 001	P 911000X01	Set screw 1/4(40)×7	8	○	○	○	○	○	○											
63	MF 40A0 331	P 611003X02	Bevel gear for arm shaft	1	○	○	○	○													
64	M9 0320 065	S 591411H02	C-type stop ring	1	○	○	○	○													
904	MF 70E0 280	W331027G01	Feed cam complete	1	○	○	○	○													
65	MF 60A1 740	W500738H01	Felt for feed cam	1	○	○	○	○													
66	MF 60A0 700	W500836H01	Spring for feed cam	2	○	○	○	○													
67	MF 60A0 233	W451575H01	Arm shaft bushing (right)	1	○	○	○														
69	MF 10A0 682	W453500H01	Balance wheel	1	○		○														
	MG 37B1 682	W231701H01	Balance wheel	1		○															
70	M9 1502 002	W500509H01	Screw 15/64(28)×12	2	○	○															
71	M9 2201 003	W461726H01	Screw 11/32(28)×10	1	○	○	○	○													
72	MG 30B0 740	W464014H01	Felt for crank rod	1	○	○	○	○													
73	MF 65B0 744	W324562H01	Feed forked connecting rod	1	○	○	○	○													
74	MF 60A0 384	W321787H01	Crank rod	1	○	○	○	○													
75	M9 1802 045	B 508961H01	Nut 9/32(28)	1	○	○	○	○													
76	M9 1806 036	W469444H01	Taper screw 9/32(28)×23	1	○	○	○	○													
77	MF 40A0 332	P 611002X02	Bevel gear for hook shaft	1	○	○	○	○													
78	MF 40A0 334	P 611001X02	Bevel gear for vertical shaft (under)	1	○	○		○													
79	MF 67B0 522	W462734H01	Vertical shaft bushing (under)	1	○	○	○														
80	MF 60A0 740	W500042H01	Felt for vertical shaft bushing	2	○	○	○	○													
81	MF 67B0 520	W444124H01	Vertical shaft	1	○	○		○													
82	MG 37B0 521	W462791H01	Vertical shaft bushing (upper)	1	○	○		○													
83	MF 40A0 333	P 611000X02	Bevel gear for vertical shaft (upper)	1	○	○		○													

From the library of: Diamond Needle Corp

STITCH LENGTH REGULATOR MECHANISM



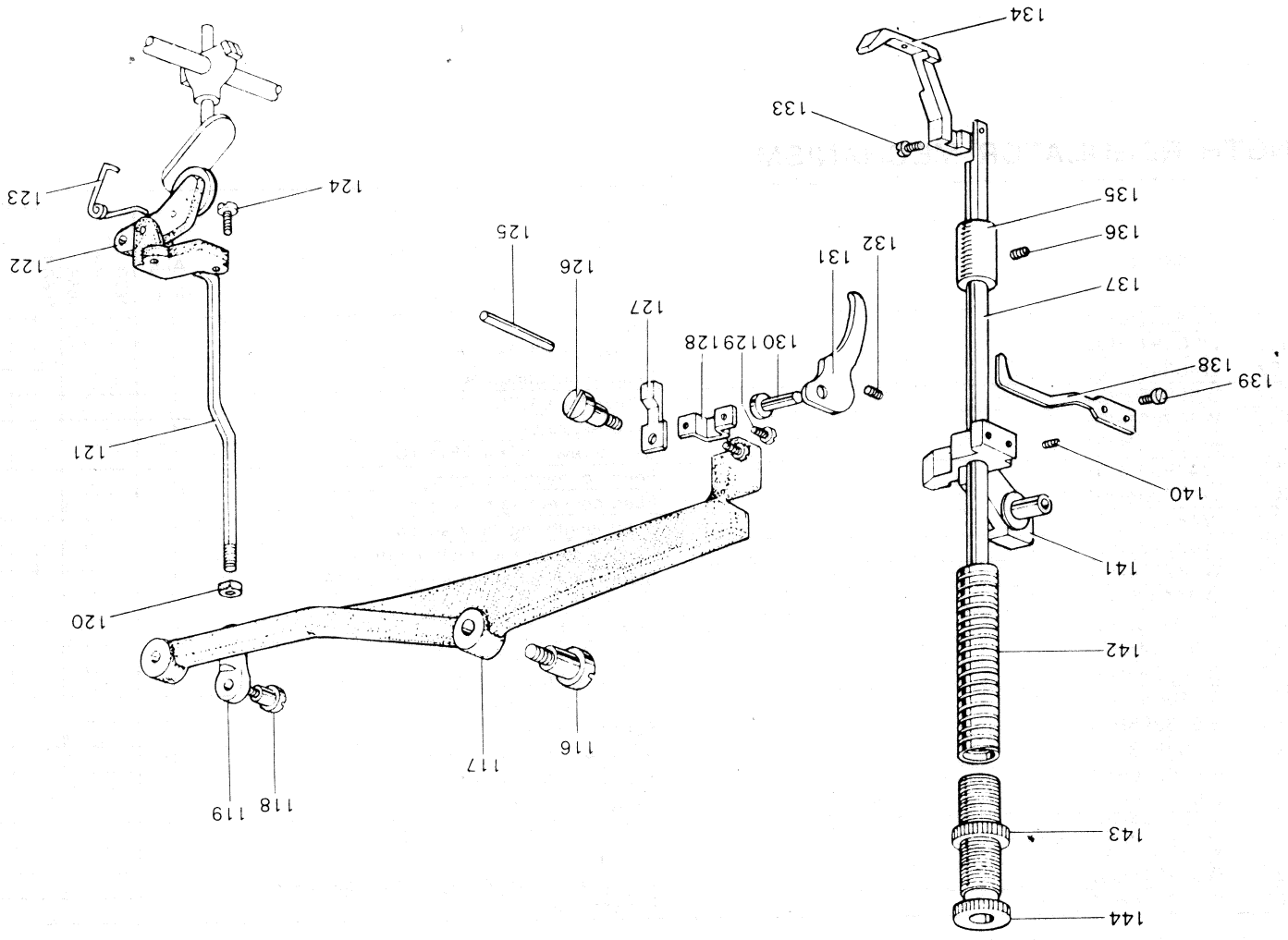
From the library of: Diamond Needle Corp

STITCH LENGTH REGULATOR MECHANISM

Fig No.	Parts No.	Ref. No.	Description	Amt Req	Common Parts															
					167R	167RB	166R	166RB												
86	M9 0718 063	W481425H01	Set pin	1	○	○	○	○												
87	M9 1501 002	W502945H02	Screw 15/64(28)×8.5	1	○	○	○	○												
88	MG 30A0 153	W483492H01	Feed connecting link	1	○	○	○	○												
89	M9 1504 002	B 508963H01	Screw 15/64(28)×10	3	○	○	○	○												
90	MG 30A0 152	W487005H01	Feed regulator	1	○	○	○	○												
91	M9 1513 001	B 509060H01	Set screw 15/64(28)×10	1	○	○	○	○												
92	MG 41B0 750	W479396H01	Feed connecting bushing	1	○	○	○	○												
93	M9 0904 063	W479395H01	Feed connecting hinge pin	1	○	○	○	○												
94	MF 60A1 640	W484899H01	Stitch length regulator screw	1	○	○	○	○												
95	MG 42A0 572	W487125H01	Presser spring for stitch length	1	○	○	○	○												
96	M9 0420 060	W487124H01	Stopper pin for stitch length 4×18	1	○	○	○	○												
97	MG 42A0 631	W344970H01	Stitch length regulator dial	1	○	○	○	○												
98	M9 1209 002	B 503887H01	Screw 3/16(28)×8	1	○	○	○	○												
99	M9 1501 002	W502945H01	Screw 15/64(28)×8.5	2	○	○	○	○												
100	M9 1207 003	B 509288H01	Screw 3/16(28)×6.5	1	○	○	○	○												
101	MF 26B0 632	W346067H01	Reverse sewing lever	1	○	○	○	○												
102	M9 5003 053	B 503895H01	Spring washer	1	○	○	○	○												
103	MF 60A0 633	W462608H01	Reverse stitch lever shaft	1	○	○	○	○												
104	M9 1501 007	B 509256H01	Screw 15/64(28)×14.5	1	○	○	○	○												
105	M9 1110 002	W500294H01	Screw 11/64(40)×8	2	○	○	○	○												
106	MG 30B0 708	W462888H01	Feed regulating spring holder	1	○	○	○	○												
107	MF 60A0 572	W445312H01	Spring	1	○	○	○	○												
108	MG 41E1 635	W331018G02	Stitch length regulating bracket complete	1	○	○	○	○												
109	MG 30A0 761	W487006H01	Eccentric pin	1	○	○	○	○												

From the library of Diamond Needle Corp

PRESSER FOOT MECHANISM

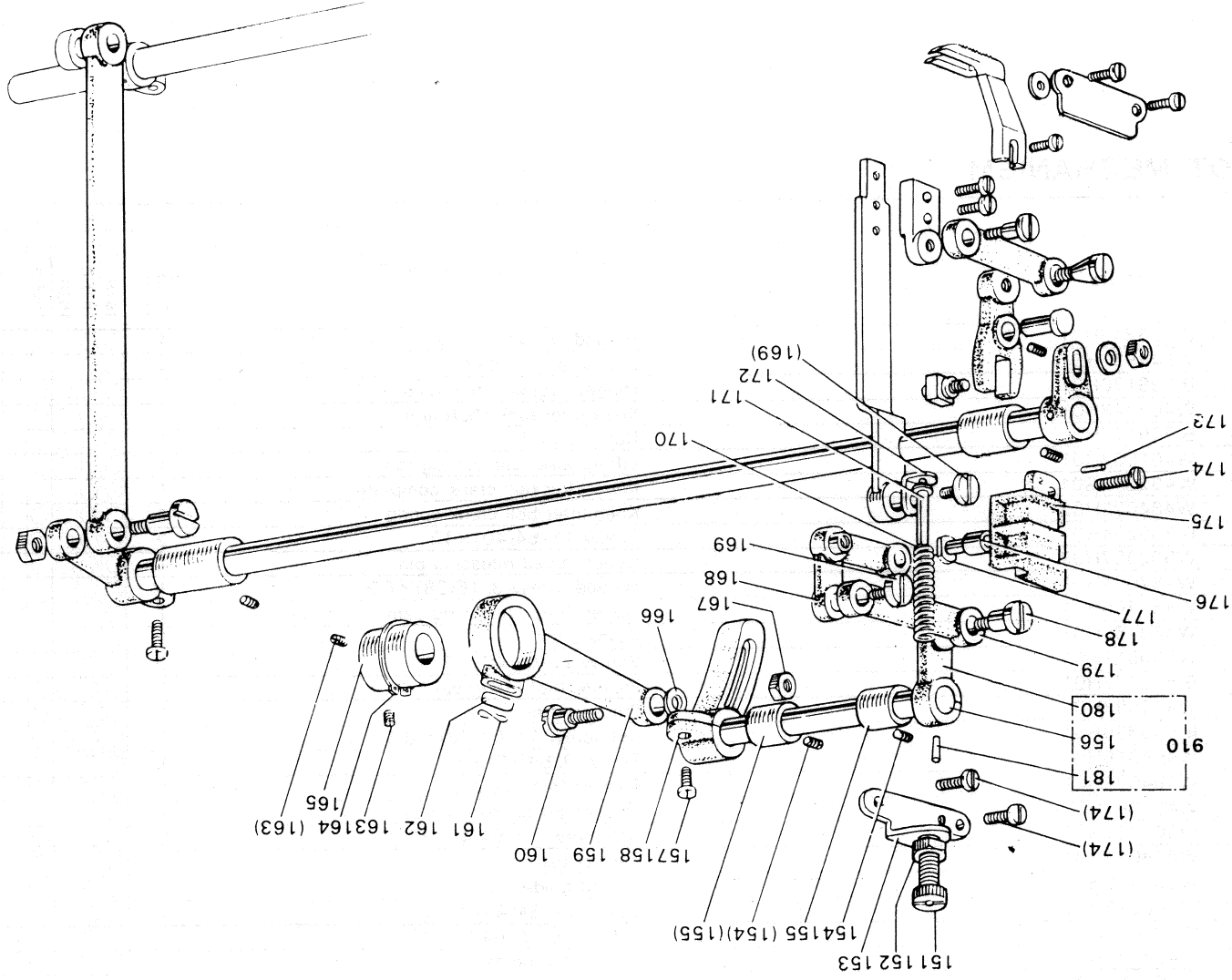


From the library of: Diamond Needle Corp

PRESSER FOOT MECHANISM

Fig. No.	Parts. No	Ref. No	Description	Amt Req	Common Parts									
					167R	167RB	166R	166RB						
116	M9 2001 016	B 503843H01	Hinged screw 5/16(24)×30	1	○	○								
117	MG 30A0 725	W344931H01	Lifting lever (upper)	1	○	○								
118	M9 1505 016	B 509176H01	Hinged screw 15/64(28)×10	1	○	○	○	○						
119	MF 60A0 591	W462748H01	Knee lifter rock shaft arm	1	○	○	○	○						
120	M9 1251 045	B 509177H01	Nut 3/16(32)	1	○	○	○	○						
121	MG 30B0 593	W461082H01	Lifting lever connecting rod	1	○	○	○	○						
122	MG 30E1 594	W482314G01	Knee lifter bell crank complete	1	○	○								
123	MG 30B1 729	W464022H02	Knee lifter bell crank spring	1	○	○	○	○						
124	M9 1104 003	B 509264H01	Screw 11/64(40)×12	2	○	○	○	○						
125	M9 0414 060	W502957H03	Upper thread releasing pin	1	○	○	○	○						
126	M9 1223 015	W487004H01	Hinged screw 3/16(28)×6.2	1	○	○								
127	MG 30B1 222	W483465H01	Upper thread releasing cam	1	○	○								
128	MG 30A0 154	W483466H01	Guide plate	1	○	○								
129	M9 1109 002	W500511H01	Screw 11/64(40)×7	2	○	○								
130	M9 0704 063	B 503977H01	Presser foot lifting pin	1	○	○	○	○						
131	MF 60A0 252	W443698H01	Presser lifter	1	○	○	○	○						
132	M9 1109 001	B 509339H01	Set screw 11/64(40)×8.5	1	○	○	○	○						
133	M9 0922 002	W464016H01	Screw 9/64(40)×8	1	○	○	○	○						
134	MG 10B0 256	W464028H01	Presser foot (inside)	1	○	○	○	○						
135	MG 30B0 267	W462887H01	Presser bar bushing (under)	1	○	○	○	○						
136	M9 1102 001	W500489H01	Set screw 11/64(40)×2.7	2	○	○	○	○						
137	MF 60A0 262	W444011H01	Presser bar	1	○	○	○	○						
138	MN 30A0 216	W502468H01	Thread guide	1	○	○								
139	M9 1107 002	W500092H01	Screw 11/64(40)×5.5	1	○	○								
140	M9 1508 001	B 509088H01	Set screw 15/64(28)×8	1	○	○	○	○						
141	MG 10B0 265	W453535H01	Presser bar holder	1	○	○								
142	MF 60A0 259	W461782H01	Presser bar spring	1	○	○	○	○						
143	M9 3201 045	W471438H01	Special nut 1/2(28)	1	○	○	○	○						
144	M9 3201 035	B 409037H02	Presser regulating thumb screw 1/2(28)×43	1	○	○	○	○						

From the library of: Diamond Needle Corp



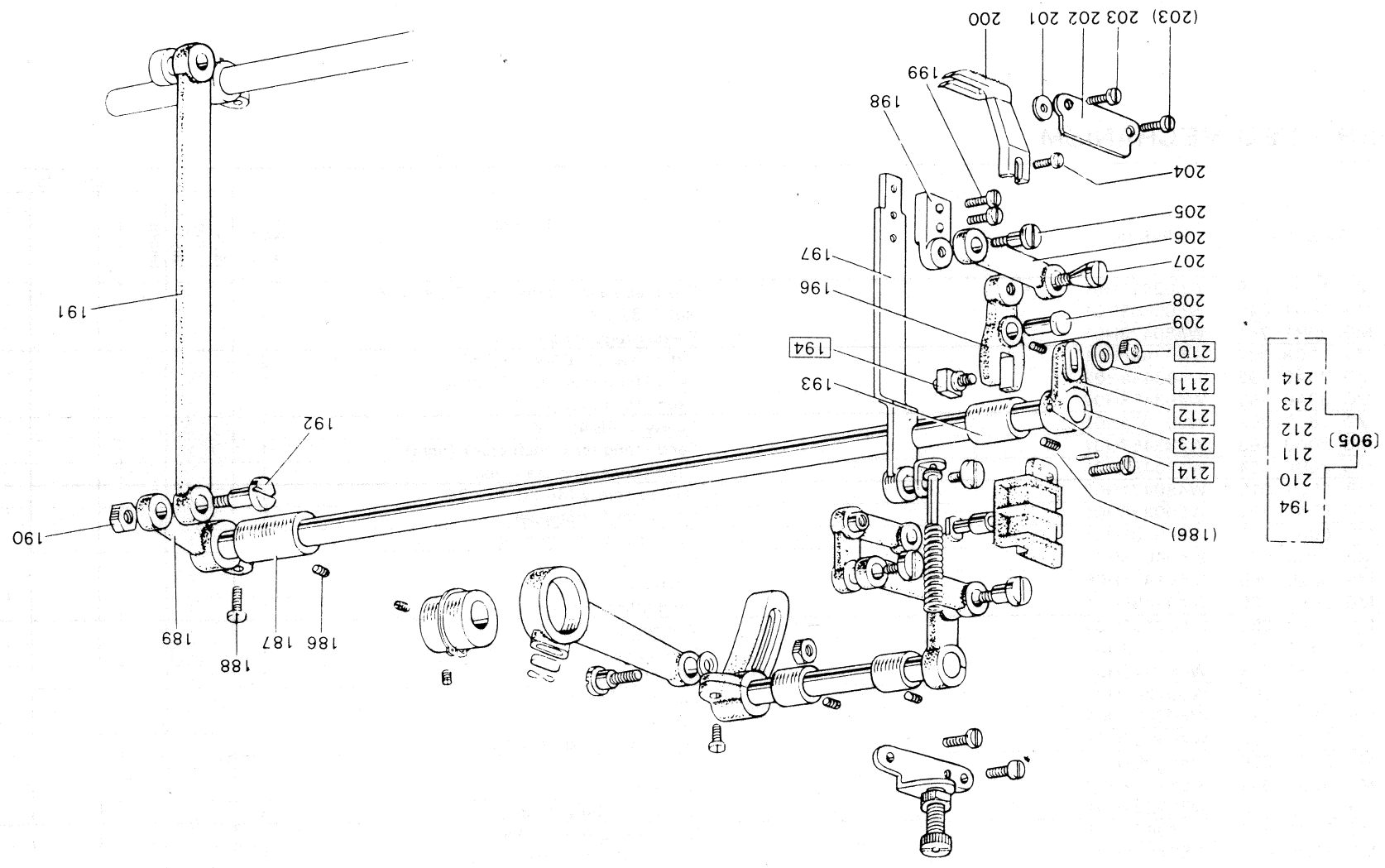
UPPER FEED MECHANISM

UPPER FEED MECHANISM

No.	Parts. No.	Ref. No.	Description	Amt. Req.	Common Parts													
					167R	167RB	166R	166RB										
151	M9 1801 035	W502411H01	Feed regulating screw 9/32(28)×35	1	○	○	○	○										
152	M9 1801 045	W500009H01	Nut 9/32(28)	1	○	○	○	○										
153	MG 30B1 261	W480473H01	Presser regulating bracket	1	○	○	○	○										
154	M9 1108 001	B 503846H01	Set screw 11/64(40)×5.5	2	○	○	○	○										
155	MG 30A0 833	W483458H02	Feed lifting rock shaft bushing	2	○	○												
156	MG 30A0 460	W483458H02	Feed lifting rock shaft	1	○	○												
157	M9 1603 003	W501009H01	Screw 1/4(24)×16	1	○	○	○	○										
158	MG 30A0 463	W483457H01	Feed lifting rock shaft crank (right)	1	○	○												
159	MG 30B0 384	W480485H01	Feed connecting crank rod	1	○	○	○	○										
160	M9 1551 015	W480471H02	Hinged screw M6 P0 75×24	1	○	○	○	○										
161	MF 60A0 700	W500836H01	Spring for felt stopper	1	○	○	○	○										
162	MF 60A1 740	W500738H01	Felt for feed connecting crank rod	1	○	○	○	○										
163	M9 1606 001	B 504016H01	Set screw 1/4(40)×7	2	○	○	○	○										
164	M9 0325 065	S 591411H05	C-type stop ring	1	○	○	○	○										
165	MG 30A0 760	W483455H01	Feed lifting eccentric	1	○	○												
166	M9 0607 050	S 562131H04	Washer 6	1	○	○	○	○										
167	M9 1572 045	S 542112H01	U-nut 6×0.75	1	○	○	○	○										
168	MG 10B0 763	W461042H01	Bell crank	1	○	○												
169	M9 1210 002	W501247H01	Screw 3/16(28)×10	2	○	○												
170	MG 41B1 572	W502462H01	Spring	1	○	○	○	○										
171	MG 30B0 732	W464020G01	Spring guide bar complete	1	○	○	○	○										
172	MG 30B0 226	W461057H01	Prop up plate	1	○	○	○	○										
173	M9 0301 064	S 584412H03	Spring Pin	2	○	○												
174	M9 1110 002	W500294H01	Screw 11/64(40)×8	3	○	○	○	○										
175	MG 30B1 765	W480467H01	Bell crank guide bracket	1	○	○	○	○										
176	MG 10B0 411	W501534H01	Bell crank guide bracket block	1	○	○	○	○										
177	M9 0507 063	W502457H01	Bell crank guide pin	1	○	○	○	○										
178	M9 1681 015	W480472H01	Hinged screw 1/4(40)×12	1	○	○	○	○										
179	MG 10B0 910	W457552H01	Feed lifting rock shaft link	1	○	○	○	○										
180	MG 30A0 462	W488479H01	Upper feed lifting rock shaft crank	1	○	○												
181	M9 1506 002	W488368H01	Taper pin	1	○	○	○	○										
910	MF	W488478G01	Feed lifting rock shaft complete	1	○	○												

From the library of: Diamond Needle Corp

UPPER FEED MECHANISM



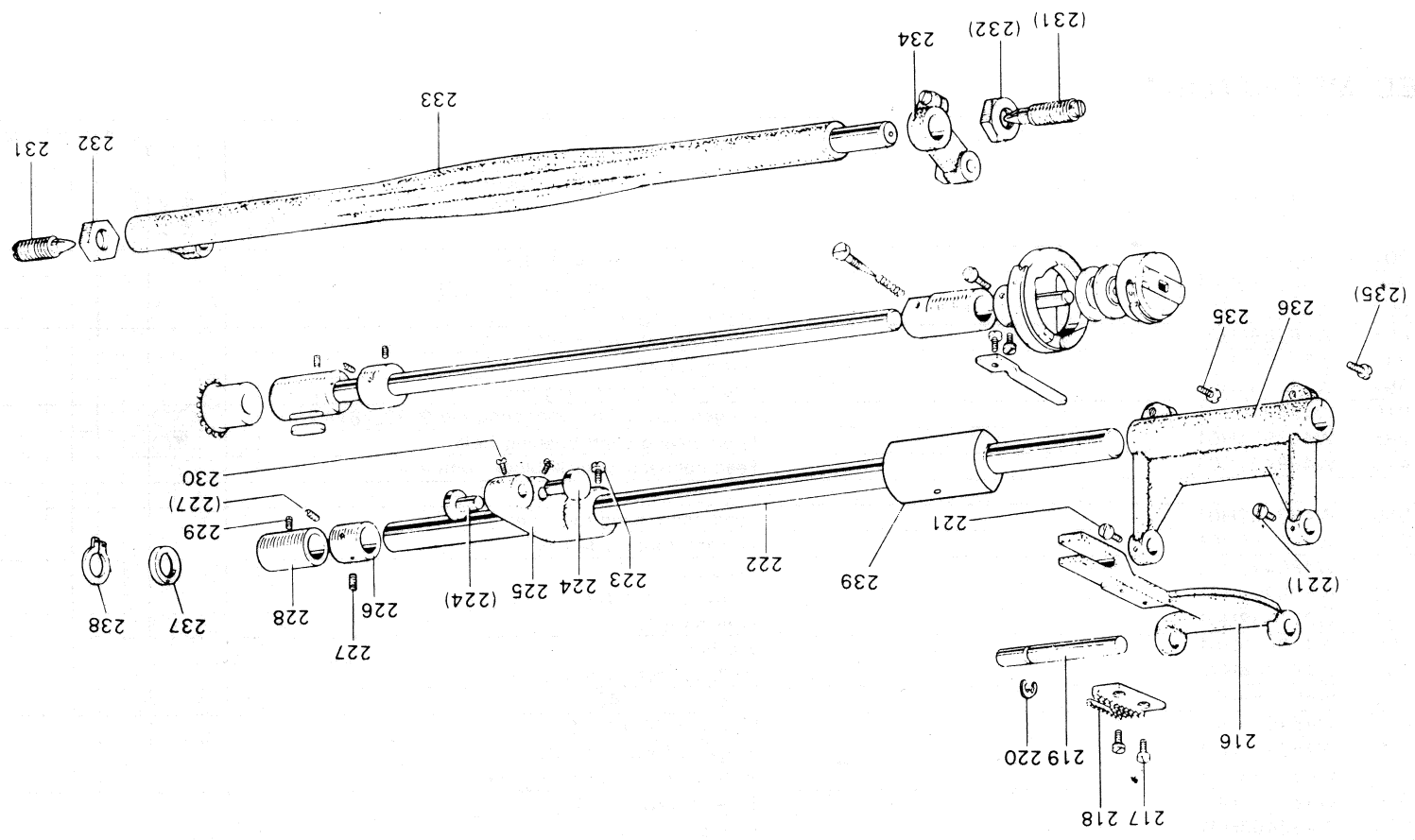
From the library of: Diamond Needle Corp

UPPER FEED MECHANISM

Fig No	Parts No	Ref. No.	Description	Amt. Req.	Common Parts													
					167R	167RB	166R	166RB										
186	M9 1108 001	B 503846H01	Set screw 11/64(40)×5.5	2	○	○	○	○										
187	MG 30B0 287	W466249H01	Feed driving shaft bushing (right)	1	○	○	○	○										
188	M9 1603 003	W501009H01	Screw 1/4(24)×16	1	○	○	○	○										
189	MG 30E0 465	W462666H01	Feed driving rock shaft crank	1	○	○	○	○										
190	M9 1802 045	B 508961H01	Nut 9/32(28)	1	○	○	○	○										
191	MG 30B0 954	W324564H01	Feed drive connecting link	1	○	○	○	○										
192	M9 1803 015	W454870H01	Hinged screw for connecting rod 9/32(28)×26.1	1	○	○	○	○										
193	MG 30B0 285	W457554H01	Feed driving shaft bushing (left)	1	○	○	○	○										
194	MG 30E0 410	W488427G01	Feed connecting slick block complete	1	○	○												
196	MG 30A0 950	W483462H01	Feed connecting rod lever	1	○	○												
197	MG 30B0 295	W461085H01	Walking foot guide link	1	○	○	○	○										
198	MG 30B2 273	W480470H02	Feed arm	1	○	○	○	○										
199	M9 0910 003	B 509270H01	Screw 9/64(40)×7	2	○	○	○	○										
200	MG 10B0 294	W321338H01	Walking foot	1	○	○	○	○										
201	M9 0414 050	W480469H01	Washer	2	○	○	○	○										
202	MG 30A0 296	W483464H01	Walking foot guide bracket	1	○	○												
203	M9 1112 002	W501889H01	Screw 11/64(40)×12	2	○	○	○	○										
204	M9 0922 002	W464016H01	Screw 9/64(40)×8	1	○	○	○	○										
205	M9 1681 015	W480472H01	Hinged screw 1/4(40)×12	1	○	○	○	○										
206	MG 30A0 910	W483495H01	Walking foot connecting link	1	○	○												
207	M9 1601 036	W487003H01	Taper screw 1/4(40)×26	1	○	○												
208	MG 30A0 530	W483463H01	Hing pin	1	○	○												
209	M9 1508 001	B 509088H01	Set screw 15/64(28)×8	1	○	○												
210	M9 1601 045	W501058H01	Nut 1/4(24)	1	○	○	○	○										
211	M9 0617 050	S 562111H01	Washer	1	○	○	○	○										
212	MG 30B0 464	W464053H01	Feed driving rock shaft crank (left)	1	○	○												
213	MG 30B0 467	W461080H01	Feed driving shaft (upper)	1	○	○												
214	M9 0401 061	W501209H01	Taper pin	1	○	○												
905	MG 30E0 467	W346058G01	Feed driving shaft complete	1	○	○												

From the library of: Diamond Needle Corp

LOWER FEED MECHANISM



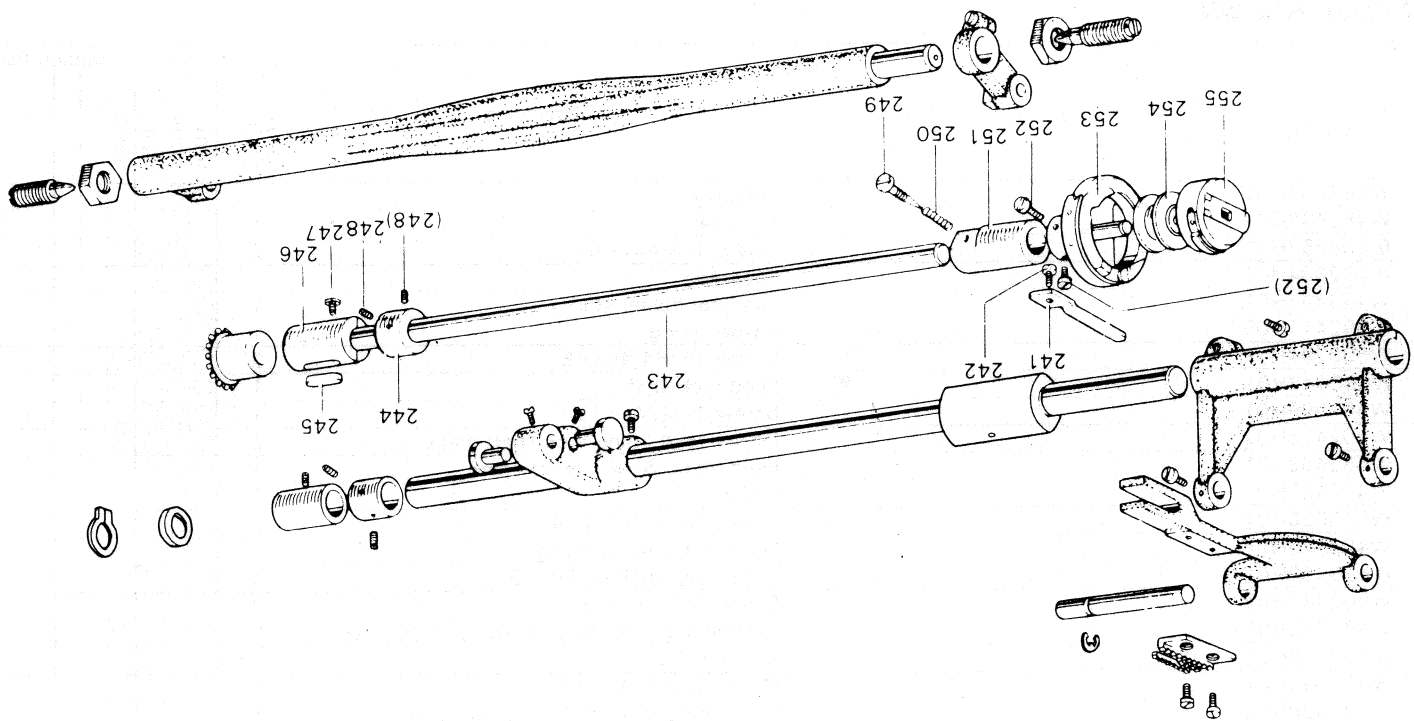
From the library of: Diamond Needle Corp

LOWER FEED MECHANISM

Fig No.	Parts No.	Ref. No.	Description	Amt. Req.	Common Parts															
					167R	167RB	166R	166RB												
216	MG 30A0 281	W484831H02	Feed bar	1	○															
	MG 37A0 281	W483498G01	Feed bar	1		○														
217	M9 0806 002	B 508857H01	Screw 1/8(44)×6	2	○	○	○	○	○											
218	MF 10A0 104	W462604H01	Feed dog	1	○	○	○	○	○											
219	MG 30A0 283	W483497H01	Feed bar holder stud	1	○	○														
220	M9 0505 065	S 592411H05	E-type spring	1	○	○	○	○	○											
221	M9 1110 002	W500294H01	Screw 11/64(40)×8	2	○	○	○	○	○											
222	MG 30A0 491	W488442H01	Feed rock shaft	1	○	○														
223	M9 1603 003	W501009H01	Screw 1/4(24)×16	1	○	○	○	○	○											
224	M9 0904 060	W502476H02	Pin for feed lifting rock shaft crank	2	○	○	○	○	○											
225	MG 30B0 306	W480463H01	Feed lifting & rock shaft crank	1	○	○	○	○	○											
226	MF 70A0 352	W476422H01	Collar	1	○	○														
227	M9 1602 001	W500036H01	Set screw 1/4(40)×4	2	○	○														
228	MG 30A0 285	W483472H01	Feed rock shaft bushing	1	○	○														
229	M9 1513 001	B 509060H01	Set screw 15/64(28)×10	1	○	○	○	○	○											
230	M9 1516 002	W502945H02	Screw 15/64(28)×8.5	2	○	○														
231	M9 2403 034	W464015H01	Feed lifting rock shaft screw 3/8(28)×35	2	○	○	○	○	○											
232	M9 2402 045	B 509118H01	Nut 3/8(28)	2	○	○	○	○	○											
233	MF 60A0 460	W321790H01	Feed lifting rock shaft	1	○	○	○	○	○											
234	MF 60E0 276	W484828G03	Feed lifting rock shaft crank complete (left)	1	○	○														
235	M9 1203 002	B 509178H01	Screw 3/16(28)×5	2	○	○	○	○	○											
236	MG 30A0 278	W483499H01	Feed rock shaft crank (left)	1	○	○														
237	M9 3001 052	W502467H01	Feed rock shaft bushing washer	1	○	○	○	○	○											
238	M9 0315 065	S 591411H15	C-type stop washer	1	○	○														
239	MG 30A1 285	W488434H01	Feed rock shaft bushing	1	○	○														

From the library of Diamond Needle Corp

HOOK SHAFT & ROTATING HOOK MECHANISM



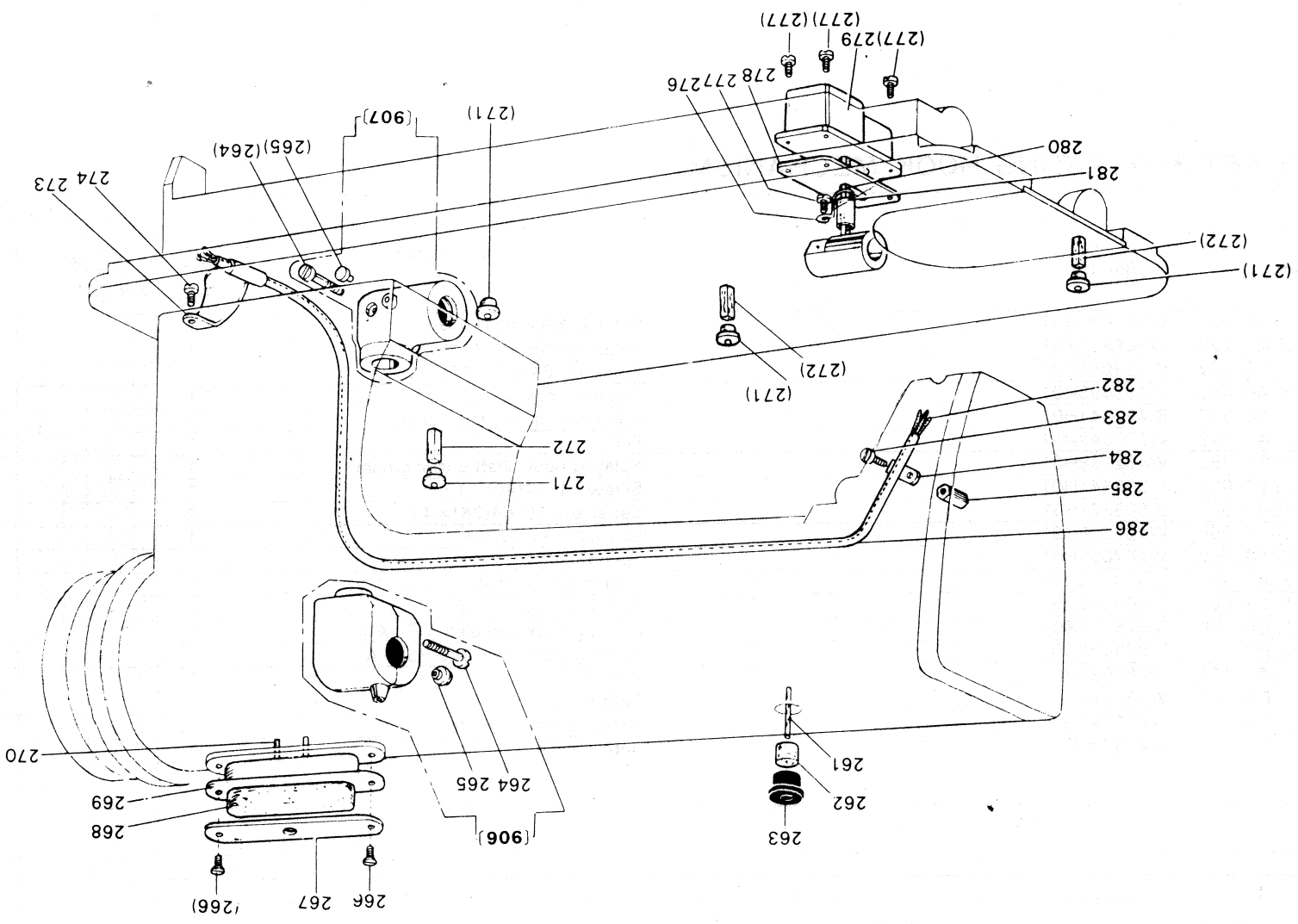
From the library of: Diamond Needle Corp

HOOK SHAFT & ROTATING HOOK MECHANISM

Fig No.	Parts No.	Ref. No.	Description	Amt Req	Common Parts															
					167R	167RB	166R	166RB												
241	MF 10A0 229	W462633H01	Rotating hook positioner	1	○															
	MF 20A0 229	W468837H01	Rotating hook positioner	1		○														
242	M9 1118 002	B 509061H01	Screw 11/64(40)×10	1	○	○														
243	MG 30A0 450	W483493H01	Rotating hook shaft	1	○	○														
244	MF 10A0 352	B 422844H01	Collar for rotating hook shaft	1	○	○														
245	MF 60A0 740	W500042H01	Felt	1	○	○	○													
246	MG 37B0 452	W462738H01	Rotating hook shaft bushing(right)	1	○	○	○													
247	M9 1117 002	B 503844H01	Screw 11/64(40)×13	1	○	○	○													
248	M9 1503 001	B 508971H01	Set screw 15/64(28)×4.5	2	○	○	○													
249	M9 0801 006	W487008H01	Screw M3×0.35×9.5	1	○	○														
250	MG 30A0 700	W487009H01	Spring	1	○	○														
251	MG 30A0 451	W349728G01	Rotating hook shaft bushing (left)	1	○	○														
252	M9 1103 002	B 509062H01	Screw 11/64(40)×5	2	○	○	○													
253	MF 22B0 120	P 975031X01	Rotating hook complete HSL-AN	1	○															
	MF 25B0 120	P 975032X01	Rotating hook complete HSM-A	1		○														
254	MF 10A0 123	W462632H01	Bobbin	1	○		○													
	MF 25B0 123	W470215H01	Bobbin	1		○		○												
255	MF 10E0 125	W461742G01	Bobbin case complete	1	○		○													
	MF 25E0 125	W473391H01	Bobbin case complete	1		○		○												

From the library of: Diamond Needle Corp

OIL LUBRICATION MECHANISM



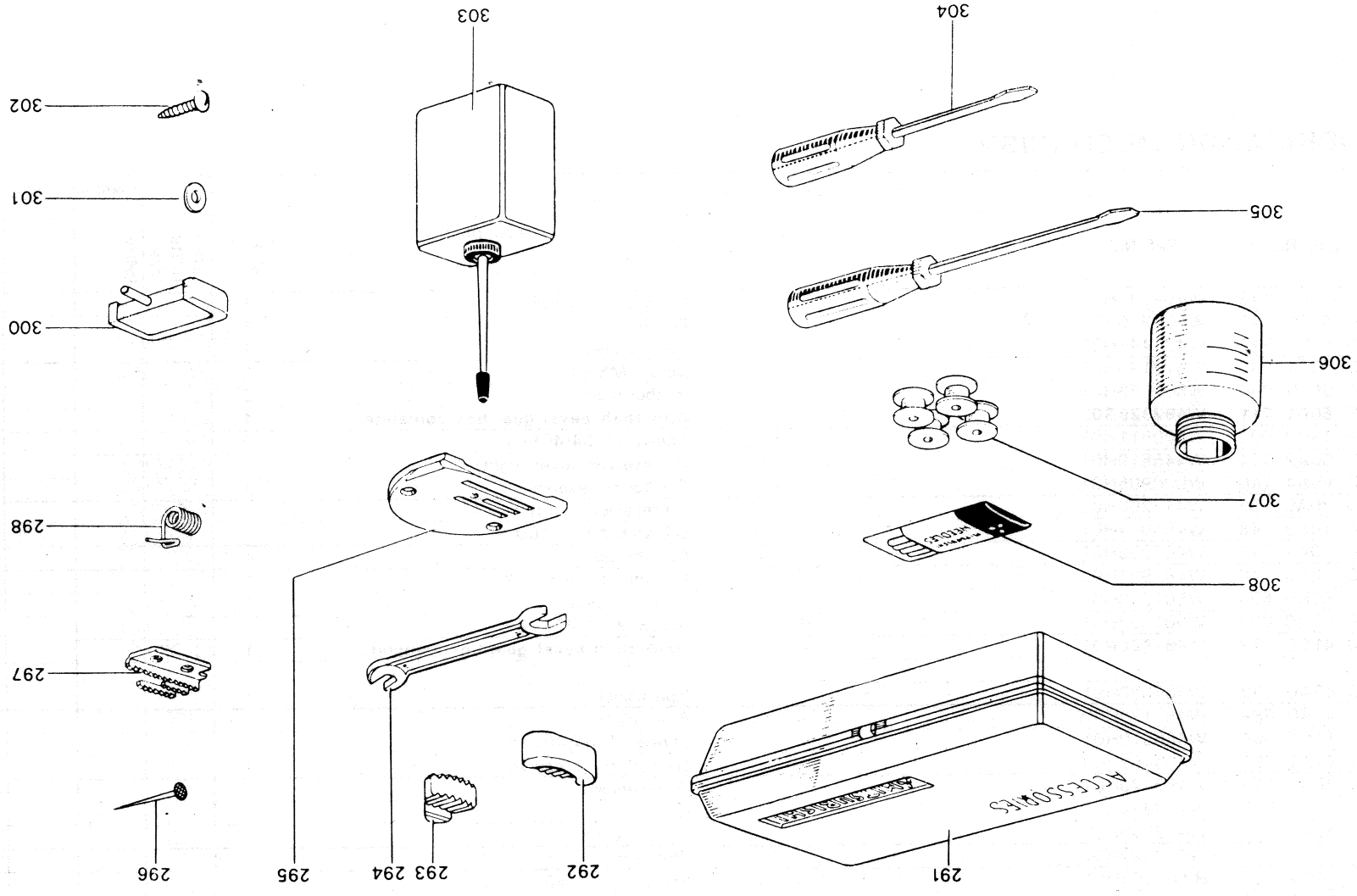
From the library of: Diamond Needle Corp

OIL LUBRICATION MECHANISM

Fig. No	Parts. No.	Ref. No.	Description	Amt. Req.	Common Parts															
					167R	167RB	166R	166RB												
261	MF 10E2 148	W464023H01	Oil wick $\phi 2.5 \times 35$	1	○	○	○	○												
262	MF 60A5 740	W500906H01	Felt for oiler	1	○	○	○	○												
263	MG 41B0 742	W471448H01	Cap for oiler	1	○	○	○	○												
264	M9 0501 037	S 512131H41	Screw M5×12	2	○	○	○	○												
265	M9 0570 080	W502078H01	Rubber plug	2	○	○	○	○												
906	MF 60E1 711	W482329G02	Arm shaft bevel gear box complete	1	○	○														
266	M9 1109 002	W500511H01	Screw 11/64(40)×7	2	○	○														
267	MF 60A0 134	W445619H01	Oil reservoir cover (right)	1	○	○	○	○												
268	MF 60A4 740	W500905H01	Felt for oil reservoir	1	○	○	○	○												
269	MG 30A0 139	W447200H03	Oil reservoir (right)	1	○	○	○	○												
270	MF 10E2 148	W464039H01	Oil wick $\phi 2.5 \times 100$	1	○	○	○	○												
271	MN 10A4 742	W462905H01	Cap for oiler	4	○	○														
272	MG 30A0 740	W462954H03	Felt for oiler 4×5-35	3	○	○														
273	MF 65B0 690	W501200H01	Oil pipe holder	1	○	○	○	○												
274	M9 0920 002	W501523H01	Screw 9/64(40)×6.5	1	○	○	○	○												
907	MG 41E0 712	W481406G01	Hook shaft bevel gear box complete	1	○	○	○	○												
276	MG 42A0 689	W487120H01	Pipe holder	1	○															
	MG 43A0 689	W487120H02	Pipe holder	1		○														
277	M9 1101 004	W466810H01	Screw 11/64(40)×8	5	○	○														
278	MG 42A1 691	W483469H02	Gasket for oil reservoir	1	○	○														
279	MG 30A1 139	W483470H01	Oil reservoir	1	○	○														
280	MN 10A5 740	W462954H01	Felt	1	○	○														
281	MG 42A1 731	W462995H03	Oil pipe 6×8-15	1	○	○														
282		W464027H02	Wool yarn	1	○	○														
283	M9 1104 003	B 509264H01	Screw 11/64(40)×12	1	○	○	○	○												
284	MF 10A0 689	W444230H01	Pipe holder	1	○	○	○	○												
285	M9 1102 045	W501097H01	Nut 11/64(40)	1	○	○	○	○												
286	MF 70A0 731	W482323H01	Oil pipe $\phi 3 \times \phi 4.2 \times 580$	1	○	○														

From the library of: Diamond Needle Corp

ACCESSORY BOX & ACCESSORIES



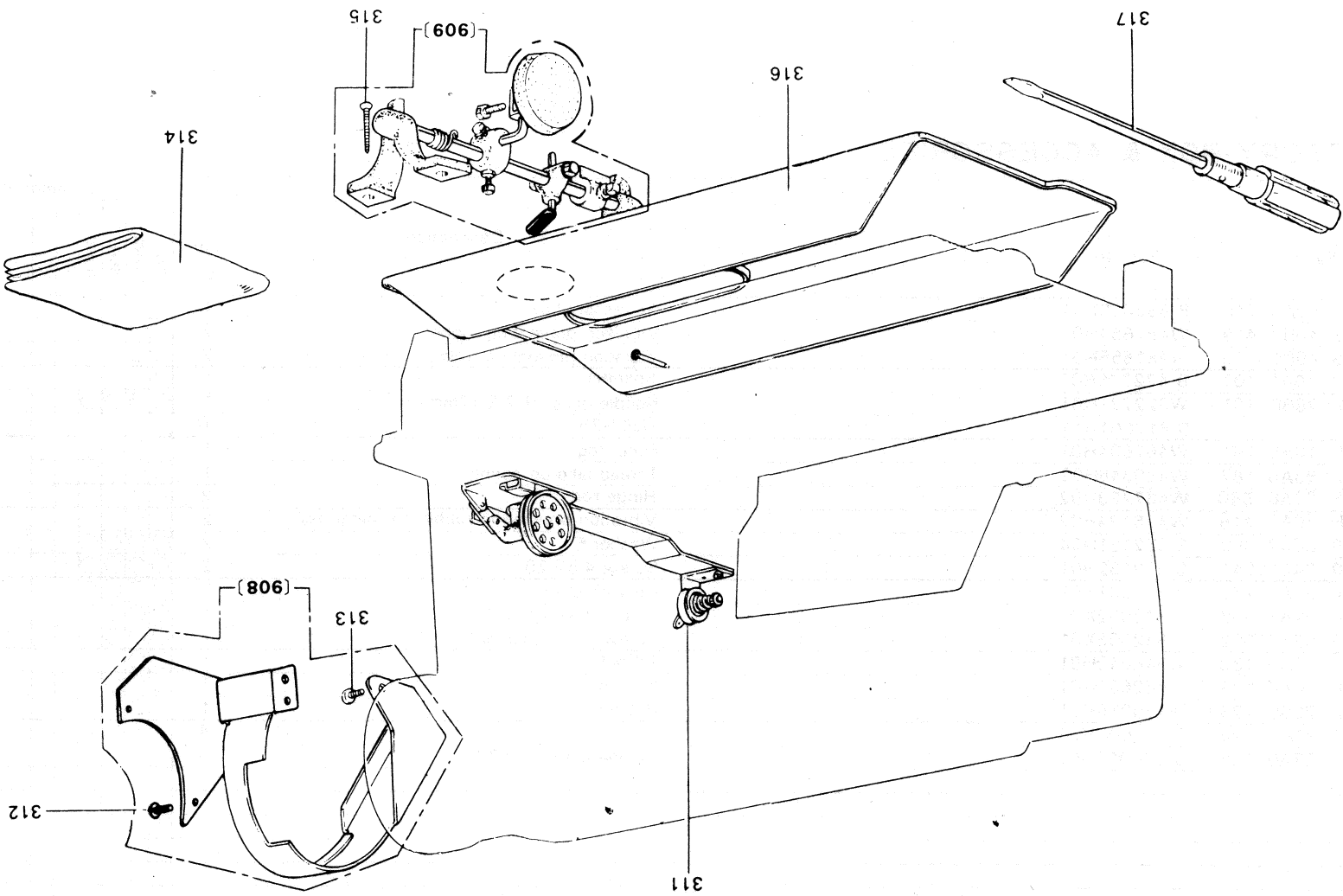
From the library of: Diamond Needle Corp

ACCESSORY BOX & ACCESSORIES

Fig. No.	Parts. No.	Ref. No.	Description	Amt. Req.	Common Parts															
					167R	167RB	166R	166RB												
291	MF 60A0 749	P 833000X01	Accessory box	1	○	○	○	○												
292	MG 40B0 419	W481654H01	Vibration preventing rubber	2	○	○														
293	MG 40B1 419	W481655H01	Vibration preventing rubber	2	○	○														
294	MM 10A1 101	B 422776H01	Spanner	1	○	○	○	○												
295	MF 26B0 101	W322721H01	Needle plate (B-2.6) (7mm)	1	○	○	○	○												
296		S 817001H12	Nail N25	10	○	○	○	○												
297	MF 10A0 104	W462604H01	Feed dog	1	○	○	○	○												
298	MF 83A0 187	W486346H02	Thread take-up spring	1	○	○														
299	MF 70A0 560	W467239H02	Hinge rod	2	○	○														
300	MF 70A2 419	W476424H02	Vibration preventing rubber for hinge rod	2	○	○														
301	M9 0607 050	S 562131H04	Washer 6	2	○	○	○	○												
302	M9 0401 041	S 519132H01	Screw 4.5×20	2	○	○	○	○												
303	MF 60A0 137	P 831001X01	Oil with Oiler	1	○	○	○	○												
304	MB 02A1 608	P 842002X01	Screw driver (Small)	1	○	○	○	○												
305	MB 02A0 608	P 842003X01	Screw driver (middle)	1	○	○	○	○												
306	MN 10A0 130	W346040H01	Oil pot	1	○	○														
307	MF 10A0 123	W462632H01	Bobbin	4	○		○													
	MF 25B0 123	W470215H01	Bobbin	4		○		○												
308	MF 83A0 128	S 970002H03		4	○															
	MG 37A0 128	S 970005H07	Needle DB×17 #22	4		○														

From the library of: Diamond Needle Corp

OIL PAN & OTHER ACCESSORIES



From the library of: Diamond Needle Corp

OIL PAN & OTHER ACCESSORIES

Fig. No.	Parts. No.	Ref. No.	Description	Amt. Req.	Common Parts															
					167R	167RB	166R	166RB												
311	MF 20E0 190	P 992002X01	Bobbin winder complete	1	○															
	MF 67E0 190	P 992004X01	Bobbin winder complete	1		○														
312	M9 1101 004	W466810H01	Screw 11/64(40)×8	3	○	○	○	○												
908	MF 20E0 776	W341683G01		1	○		○													
	MV 02E0 776	W338205G01		1		○		○												
313	M9 1506 004	W467868H02	Screw 11/64(28)×8	1	○	○	○	○												
314	MF 60A0 734	W220627H02	Vinyl cover	1	○	○	○	○												
315	M9 0401 040	S 519131H04	Screw 4.5×32	4	○	○	○	○												
909	MF 60E1 727		Knee lifter complete	1	○	○	○	○												
316	MG 42E0 131	W344933G02	Oil pan	1	○	○														
317	MF 60A0 608	W319408H01	Screw drive (large)	1	○	○	○	○												

From the library of: Diamond Needle Corp

MEMORANDUM FOR THE DIRECTOR

Grid area containing faint, illegible text and markings.

From the library of: Diamond Needle Corp

MEMO

M E M O

From the library of: Diamond Needle Corp

From the library of: Diamond Needle Corp